

PPC-J217RW

Arestech

21.5" True Flat Fanless Aluminum IP65 Protection Touch Panel PC with Intel® Core® i5-7200U/ i3-7100U Processor



Features

- 21.5" Full HD LCD Panel with 5 Wired Resistive Touch Display
- Embedded Intel® Core® i5-7200U 3.1 GHz Processor
- System Memory up to 32 GB DDR4 2133 SDRAM
- True Flat Aluminum Front Cover IP65 Protection
- Support miniPCIe with SIM for 3G/LTE and 1 M.2 A/E Key for Wifi/BT
- Panel and VESA Mounting

Applications

- Human Machine Interface (HMI)
- Factory / Manufacturing Automation
- ATM / Self-service / Kiosk Applications
- Vending Machine / Ticketing Machine

→ Packing List

Description
1 x PPC-J217RW
1 x Power Adapter
1 x Power Cord
6 x Panel Mounting Screws

→ Optional Items

Part No.	Description
AWD-WF001	wifi 802.11 b/g/n (1T1R) + 1 antenna , Half size
AWD-WF003	wifi 802.11 a/b/g/n/ac/BT4.0 (2T2R) + 2 antenna(dual band), Half size
AWD-WF004	wifi 802.11 b/g/n/ BT4.0 (1T1R) + 2 antenna(dual band), M.2 2230 type
AWD-WF005	wifi 802.11 a/b/g/n/ac/BT4.0 (2T2R) + 2 antenna(dual band), M.2 2230 type
AWD-3G002	3G UC20-G (HSPA+) + 1 antenna, Full size with SIM socket
AWD-4G001	4G(LTE) EC20-E+ 2 antenna, Full size with SIM socket
AWD-4G002	4G(LTE) EC25-J+ 2 antenna, Full size with SIM socket

→ Ordering Information

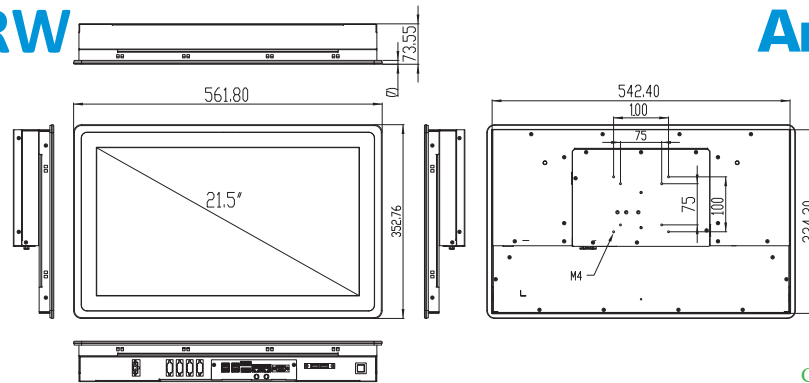
Part No.	Description
PPC-J217RW-1A1	21.5" Fanless 5-wire Resistive Touch Panel PC with Intel® Core® i5-7200U, 2 DDR4, 2 GbE, 4 USB 3.0, 3 RS-232, 1 RS-232/422/485, 8bits GPIO, line out, mic in, 1 HDMI, 1DP, DC 9~36V, Phoenix Connector
PPC-J217RW-2A1	21.5" Fanless 5-wire Resistive Touch Panel PC with Intel® Core® i3-7100U, 2 DDR4, 2 GbE, 4 USB 3.0, 3 RS-232, 1 RS-232/422/485, 8bits GPIO, line out, mic in, 1 HDMI, 1DP, DC 9~36V, Phoenix Connector

www.arestech.com.tw

PPC-J217RW

Arestech

→ **Dimensions**



→ **Specifications**

Cut out : 297*230 mm

	Model	PPC-J217RW-1A1	PPC-J217RW-2A1
Processor System	CPU	Intel® Core® i5-7200U	Intel® Core® i3-7100U
	Frequency	Dual-Core up to 3.1GHz	Dual-Core up to 2.4GHz
	L2 Cache	3 MB	
	System Chipset	N/A	
Memory	BIOS	UEFI	
	Technology	DDR4 2133 MHz SDRAM	
	Max. Capacity	32 GB	
Display	Socket/ (On Board)	2, (260-pin SO-DIMM)	
	Panel Size	21.5" Panel	
	Aspect Ratio	16:9	
	Resolution	1920 x 1080 (FHD)	
	Viewing Angle	85 x 85 (H) x 80 x 80 (V)	
	Brightness	250 (cd/m2)	
	Contrast Ratio	1000:1	
	VGA / HDMI / DP / DVI	1, DP 1.2, Up to 3840 x 2160 @ 60Hz/ 1, HDMI 2.0a, up to 4096 x 2160 @ 60Hz	
Touchscreen	Multi Display	LCD + DP or LCD + HDMI	
	Touchscreen Type	5-Wire Resistive	
	Surface Hardness	3 Mohs	
I/O Interface	Durability	36 millions times	
	Transparency	80% (±3%)	
	USB	4, USB 3.0	
	Serial Port	4, COM (3 RS-232, 1 RS-232/422/485)	
	Digital I/O	1, 8-pin Digital I/O (DB-9 connector)	
Expansion	Ethernet	Dual GbE, 10/100/1000 Mbps (Intel i219V, i211AT)	
	Others	-	
Audio	miniPCIe/ M.2 Slot	1, miniPCIe with SIM, 1, M.2 2230 A/E Key (WiFi & BT)	
	PCI/ PCIe Slot	-	
Storage	Connector	Line out, Mic In, Realtek High Definition Audio (HD)	
	HDD/SSD	1, Internal 2.5" HDD/SSD	
Power	mSATA/ M.2 / eMMC	Supports 1 M.2 B/M Key 2280	
	Power On Model	AT/ATX	
	Power Supply Voltage	Supports 9-36 V DC input	
	Connector Type	2-pin Terminal Block	
Mounting	Power Consumption(Typical/Max)	Typical:17.5W@12V(1.46A), MAX:61.5W@12V(5.125A)	
	Battery	CR2032;3.3V	
	VESA Mount	75mmx 75mm; 100mm x 100mm	
Environment	Panel Mount	Cut out 544.4 x 336.3 mm mm, Thickness range under 7mm	
	Others	-	
	Operating Temperature	-20~60° C (-4~140° F) w/ Extended Operation Temp. RAM & 2.5" SSD	
	Storage Temperature	-40~85° C (-40~185° F)	
	Humidity	5~95% @ 40° C, non-condensing	
General	Vibration	1 Grms, IEC 60068-2-64, random, 5~500 Hz, 1 Oct/min., 1hr/axis, x, y, z 3 axes	
	Shock	20 G, IEC 60068-2-27, half sine, 11 ms duration	
	Certification	TBD	
	Thermal Dissipation	Fanless	
General	Material, Surface Finish	Aluminum Front Cover	
	Ingress Protection	Front Cover IP65 Protection	
	Dimensions (L x W x H)	561.8 x 352.76 x 73.55mm (22.12"x13.89"x2.90")	
	Net Weight	8.1kg(17.85lb)	
	Operating System	Windows 10 IoT 64Bit, Linux kernal 4.0.x or above	

Tel: +886-2-8287-9168 Fax: +886-2-8287-2577 Email: service@arestech.com.tw

Assured Systems

Assured Systems is a leading technology company with over 1,500 regular clients in 80 countries, deploying over 85,000 systems to a diverse customer base in 12 years of business. We offer high-quality and innovative rugged computing, display, networking and data collection solutions to the embedded, industrial, and digital-out-of-home market sectors.

US

sales@assured-systems.com

Sales: +1 347 719 4508
Support: +1 347 719 4508

1309 Coffeen Ave
Ste 1200
Sheridan
WY 82801
USA

EMEA

sales@assured-systems.com

Sales: +44 (0)1785 879 050
Support: +44 (0)1785 879 050

Unit A5 Douglas Park
Stone Business Park
Stone
ST15 0YJ
United Kingdom

VAT Number: 120 9546 28
Business Registration Number: 07699660