

Gladius G0830

8" Tablet POS with Intel® Atom™ Quad-Core Processor



Features

- Ideal for warehousing / retail / mPOS applications
- 8" TFT color LCD 1024 x 768 XGA resolution
- IPS LED display with projected capacitive multi-touch panel
- High mobility with connectivities including WLAN and Bluetooth
- Expansion for storage via microSD slot
- Identification devices (barcode scanner, RFID & NFC reader and MSR)

Rugged Mobile Computing

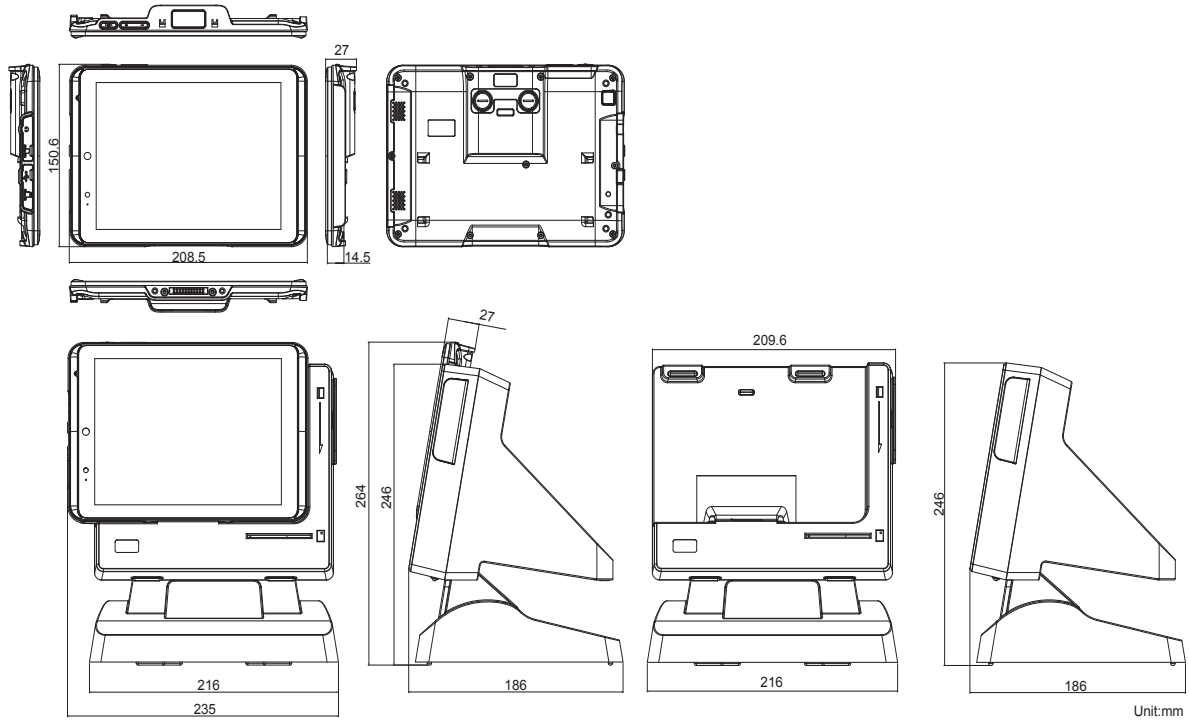
System	
CPU	Intel® Atom™ x5-Z8350 Processor (2M Cache, up to 1.84 GHz)
Graphic	Intel® HD Graphic Chipset
OS	Android™ v5.X & Windows 10
Memory	2GB DDR3L / 4GB DDR3L
Storage	64GB eMMC
	1 x integrated microphone
Audio	2 x 0.5W integrated stereo speaker
	1 x 3.5mm headphone jack
Peripherals and Devices	
Camera	Front: 2.0 MP camera Rear: 8.0 MP AF camera
Sensor	Gyroscope, eCompass, light sensor
WLAN	Integrated IEEE 802.11 a/b/g/n/ac
Bluetooth	Bluetooth® 4.1
Barcode Scanner	1D/2D barcode scanner with physical trigger buttons on right & left sides
NFC	ISO 14443A/B, ISO 15693 (on back side)
LCD Display	
Size/Type	8" TFT LCD (4:3)
Resolution	1024 x 768
Touch Screen	
Type	10-point projected capacitive touch screen
Tablet PC I/O Interface	
USB Port	1 x Micro USB 2.0 port (OTG support)
SD Slot	1 x microSD card slot
Tablet Battery Consumption	
Operating Mode	3.5 hours (continuously playing YouTube video)
Standby Mode	29~33 hours

Cradle I/O Interface	
USB Port	3 x USB 2.0 ports (supports USB 3.0 900mA current)
HDMI	1 x HDMI port (supports high resolution up to 2K)
LAN	1 x RJ-45 GbE LAN port
Power	1 x DC Jack
Docking	Guide pin for fixing
NFC	ISO 14443A/B, ISO15693 (on back side) (optional)
MSR	Encryption feature & ISO7811 compliant
Smart Card Reader	1 x chipset card reader slot
Power Supply	
Battery Type	Lithium-ion rechargeable battery
Battery Capacity	3.8V, 4000mAh
Power Adapter	For G0830: AC100-240V, 50-60 Hz, 5V/2.4A For G0830-M: AC100-240V, 50-60 Hz, 5V/2.4A, Medical grade For Cradle: AC100-240V, 50-60 Hz, 12V/5A
Mechanical & Environmental	
Operating Temp.	-10°C ~ 45°C (14°F ~ 113°F)
Storage Temp.	-20°C ~ 60°C (-4°F ~ 140°F)
Charging Temp.	0°C ~ 40°C (32°F ~ 104°F)
Dimensions (W x H x D)	Tablet PC: 208.5 x 150.6 x 27 mm (8.21" x 5.93" x 1.63") With cradle & docking: 235 x 264 x 186 mm (9.25" x 10.39" x 7.32")
Weight	Tablet: 520g (1.15lb) (with battery) Cradle & docking: 2.54kg (5.60lb)
IP Rating	IP54
Drop Resistance	1.2m (4ft.)
Regulatory	CE, FCC Class B, KC EN60601-1 compliant (for G0830-M only)
Ordering Information	
G0830	8" fanless Atom Quad-core tablet PC w/ standard power adapter
G0830-M	8" fanless Atom Quad-core tablet PC w/ Medical-grade power adapter, EN60601-1 compliant

All specifications are subject to change without notice. Last update: 25/11/2020



Dimensions



Standard Accessories

Universal power adapter, 5V/2.4A
Medical-grade power adapter, 5V/2.4A (for G0830-M only)



Universal power adapter, 12V/5A (for cradle)



Optional Accessories

Desktop cradle & docking



Hand strap



Pistol grip w/ 8000mAh power bank and power status LED



Pistol grip



Rope Stylus Pen



K-Lock



Assured Systems

Assured Systems is a leading technology company with over 1,500 regular clients in 80 countries, deploying over 85,000 systems to a diverse customer base in 12 years of business. We offer high-quality and innovative rugged computing, display, networking and data collection solutions to the embedded, industrial, and digital-out-of-home market sectors.

US

sales@assured-systems.com

Sales: +1 347 719 4508
Support: +1 347 719 4508

1309 Coffeen Ave
Ste 1200
Sheridan
WY 82801
USA

EMEA

sales@assured-systems.com

Sales: +44 (0)1785 879 050
Support: +44 (0)1785 879 050

Unit A5 Douglas Park
Stone Business Park
Stone
ST15 0YJ
United Kingdom

VAT Number: 120 9546 28
Business Registration Number: 07699660