

ViTAM-824P/G(H)

23.8" IP66 / IP69K Stainless Steel Panel PC

Industrial Panel PC

HMI Controller

Industrial Display Monitor

Box PC



Features

- 23.8" New Generation Stainless Steel Panel PC
- Intel Celeron N2930 1.83GHz Onboard Processor
- True Flat Front Bezel Design and Grade 304 Stainless Steel Enclosure (Grade 316 for Option)
- IP66/IP69K Rated with M12 Connectors
- Support Resistive Touch, Projected Capacitive Touch, and Glass
- Touch on/off Button on the Side Edge for Hygienic Cleaning
- Support Ergonomic Versatile Mounting: Yoke Mounting / Space-saving VESA 200 x 100 mm Mounting

Specifications

System	
CPU	Celeron N2930 Processor(2M Cache,1.83GHz)
System Chipset	SoC
Memory	Onboard 4GB DDR3L SDRAM , up to 8GB(option)
IO Port	
USB	1 x M12 8-pin for USB 2.0 with waterproof cover and chain 1 x M12 8-pin COM1, RS-232/422/485, default RS-232, with waterproof cover and chain
Serial / Parallel	1 x M12 8-pin for LAN with waterproof cover and chain
LAN	1 x Touch on/off button at the side
Others	1 x M12 3-pin for DC power with waterproof cover and chain 1 x Power switch on the rear
Power Connector	2 x optional blank M12 connector with waterproof cover and chain for selecting two from the following options: 2 x USB 2.0 1 x USB 3.0 1 x LAN (POE for option) 1 x COM 1 x CAN
Option	

Storage Space	
HDD	1 x 2.5" SATA3 HDD

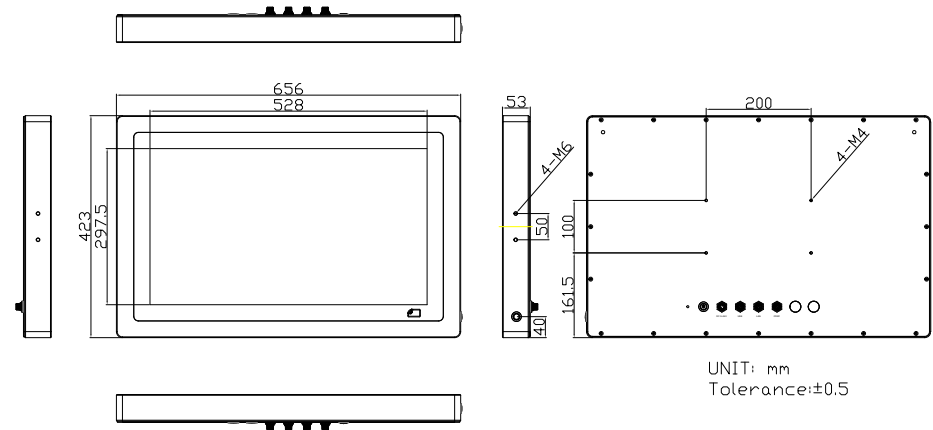
Expansion	
Expansion slot	1 x Full-size mini-PCIe socket (PCIe + USB) for WIFI/BT/LTE(optional)
RFID module	RFID module design on the front side(optional)

Display	Standard	High Brightness Optional
	Display Type	23.8" TFT-LCD
Max. Resolution	1920 x 1080	1920 x 1080
Max. Color	16.7M	16.7M
Luminance (cd/m ²)	250	1000
View Angle	178(H)/178(V)	178(H)/178(V)
Contrast	3000:1	5000:1
Backlight Lifetime	30,000 hrs	50,000 hrs

Touch Screen	
Type	Projected Capacitive Touch (For P model) Glass (For G model)
Interface	USB
Light Transmission(%)	Projected Capacitive : 90%

Power	
Power Input	DC 9~36V
Power Consumption	ViTAM-824P:43W

Dimensions



Mechanical	
Construction	304 Stainless steel chassis(default), 316 Stainless steel chassis(optional)
Mounting	VESA mount 200 x 100, Yoke mount for optional
IP Rating	Total IP66/IP69K
Dimensions	656 x 423 x 53 mm
Net Weight	12.5 kg

Environmental	
Operating Temperature	0~50°C
Storage Temperature	-30~70°C
Humidity	10 to 95% @ 40°C, non- condensing
Certificate	CE/FCC Class A

Operating System Support	
Windows Embedded 7, Windows Embedded 8.1, Windows 10 IoT ENT LTSB	

Ordering Information	
ViTAM-824P	23.8" FHD IP66/IP69K stainless steel panel pc, Celeron N2930 Processor, 4GB DDR3L RAM, 32G MLC SSD, projected capacitive touch, 9~36V DC power input with Adapter
ViTAM-824G	23.8" FHD IP66/IP69K stainless steel panel panel pc, Celeron N2930 Processor, 4GB DDR3L RAM, 32G MLC SSD, protection glass, 9~36V DC power input with Adapter
ViTAM-824PH	23.8" FHD IP66/IP69K stainless steel panel pc, Celeron N2930 Processor, 4GB DDR3L RAM, 32G MLC SSD, projected capacitive touch, 9~36V DC power input with Adapter, 1,000 nits LCD
ViTAM-824GH	23.8" FHD IP66/IP69K stainless steel panel panel pc, Celeron N2930 Processor, 4GB DDR3L RAM, 32G MLC SSD, protection glass, 9~36V DC power input with Adapter, 1,000 nits LCD

Assured Systems

Assured Systems is a leading technology company with over 1,500 regular clients in 80 countries, deploying over 85,000 systems to a diverse customer base in 12 years of business. We offer high-quality and innovative rugged computing, display, networking and data collection solutions to the embedded, industrial, and digital-out-of-home market sectors.

US

sales@assured-systems.com

Sales: +1 347 719 4508

Support: +1 347 719 4508

1309 Coffeen Ave
Ste 1200
Sheridan
WY 82801
USA

EMEA

sales@assured-systems.com

Sales: +44 (0)1785 879 050

Support: +44 (0)1785 879 050

Unit A5 Douglas Park
Stone Business Park
Stone
ST15 0YJ
United Kingdom

VAT Number: 120 9546 28

Business Registration Number: 07699660