

FABS-912AR/P/G(H)

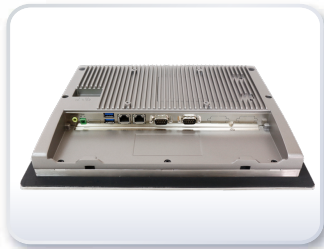
12.1" Fanless Industrial Compact Size Panel PC

Industrial Panel PC

HMI Controller

Industrial Display Monitor

Box PC



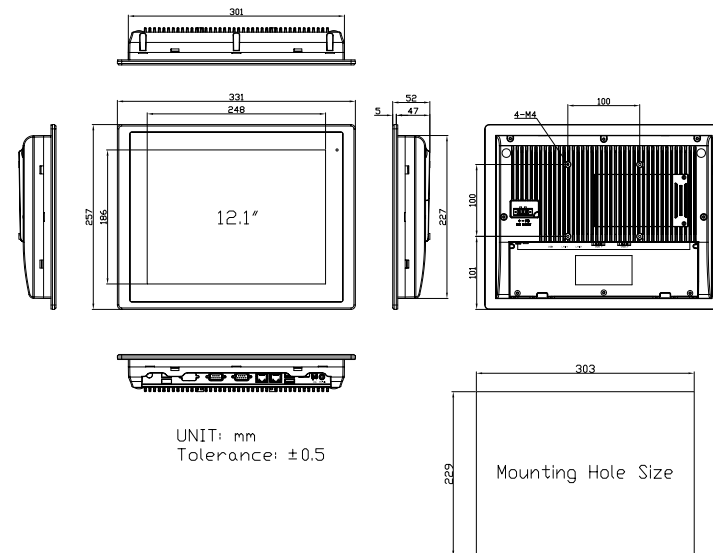
Features

- 12.1" Food Industrial Panel PC
- Flat front panel touch screen
- Fanless design
- 6th/7th Gen. Intel Core i3/i5/i7 Processors
- DDR4 SO-DIMM Socket
- Wide range DC 9-36V power input

Specifications

System		
CPU	6th/7th Gen. Intel Core i3/i5/i7 Processors	
System Chipset	SoC	
Memory	DDR4 SO-DIMM Socket	
IO Port		
USB	2 x USB 3.0 type A	
Serial / Parallel	1 x RS-232/422/485 DB-9, default RS-232(COM1) 1 x RS-232 DB-9(COM2)	
LAN	2 x GbE LAN RJ-45	
Audio	1 x Line Out	
Power	1 x 3-pin DC Power input terminal 1 x 2-pin connector for power on/off button	
Storage Space		
HDD/SSD	1 x 2.5" SATA HDD space (Easily Accessible)	
Expansion		
Expansion Slot	1 x Internal Mini-PCIe slot full size on board	
Display		
	Standard	High Brightness Optional
Display Type	12.1" TFT-LCD	12.1" TFT-LCD
Max. Resolution	800 x 600 1024 x 768 (optional)	800 x 600 1024 x 768 (optional)
Max. Color	16.2M	262K / 16.2M (optional)
Luminance (cd/m ²)	450 / 500 (optional)	1000
View Angle	178(H) / 178(V) 160(H) / 140(V) (optional)	178(H) / 178(V) 160(H) / 140(V) (optional)
Contrast	1500:1 / 700:1 (optional)	700:1
Backlight Lifetime	50,000 hrs 30,000 hrs (optional)	50,000 hrs
Touch Screen		
Type	Projected Capacitive Touch (For P model) Resistive Touch (For R model) Glass (For G model)	
Interface	USB	
Light Transmission(%)	Resistive Touch : 80% Projected Capacitive : 90%	
Power		
Power Input	DC 9-36V	
Power Consumption	FABS-912AP: 45.54W	

Dimensions



Mechanical	
Construction	304 Stainless steel front bezel (Default) 316 Stainless steel front bezel (Optional) Aluminum back cover
Mounting	Panel mount, VESA mount 100 x 100
IP Rating	Front Panel IP66/IP69K
Dimensions	331 x 257 x 52 mm
Net Weight	2.5 kg
Environmental	
Operating Temperature	0~50°C
Storage Temperature	-30~70°C
Storage Humidity	10 to 90% @ 40°C, non-condensing
Certificate	CE / FCC Class A EN 1672-2 (Exclude R model)
Operating System Support	
Windows 10 IoT ENT LTSC	
Ordering Information	
FABS-912AP (Barebone)	12.1" SVGA fanless HMI barebone with Intel 6th Core i3-6100U CPU, 1 x DDR4 SO-DIMM Socket, Projected Capacitive touch, 9-36V DC input with adapter, Stainless steel front bezel and Aluminum chassis.
FABS-912AR (Barebone)	12.1" SVGA fanless HMI barebone with Intel 6th Core i3-6100U CPU, 1 x DDR4 SO-DIMM Socket, Resistive touch, 9-36V DC input with adapter, Stainless steel front bezel and Aluminum chassis.
FABS-912AG (Barebone)	12.1" SVGA fanless HMI barebone with Intel 6th Core i3-6100U CPU, 1 x DDR4 SO-DIMM Socket, Protection glass, 9-36V DC input with adapter, Stainless steel front bezel and Aluminum chassis.

Assured Systems

Assured Systems is a leading technology company with over 1,500 regular clients in 80 countries, deploying over 85,000 systems to a diverse customer base in 12 years of business. We offer high-quality and innovative rugged computing, display, networking and data collection solutions to the embedded, industrial, and digital-out-of-home market sectors.

US

sales@assured-systems.com

Sales: +1 347 719 4508
Support: +1 347 719 4508

1309 Coffeen Ave
Ste 1200
Sheridan
WY 82801
USA

EMEA

sales@assured-systems.com

Sales: +44 (0)1785 879 050
Support: +44 (0)1785 879 050

Unit A5 Douglas Park
Stone Business Park
Stone
ST15 0YJ
United Kingdom

VAT Number: 120 9546 28
Business Registration Number: 07699660