

WMP-227

21.5" Wide Core i Fanless Medical Panel PC



Key Features

- Front full flat resistive touch with IP65 protection
- Fanless operating w/ reliable thermal design
- Anti-bacteria plastic housing and medical 60601-1 3rd edition certification
- 21.5" wide full HD 1920x1080 LCD w/ LED backlight
- Intel low power Core i3 / i5 / i7 & Celeron dual core 1.1G processor
- PCI-E/PCI expansion and two mini-PCIe sockets
- Optional internal battery pack for 25 minutes operating
- Optional Wifi, Webcam, Bluetooth and RFID reader
- Customization for LAN/COM/USB isolation, change touch to glass

Main System

CPU	FCBGA1023 2nd Generation Intel® Core i7 / i5 / i3 / Celeron® processor (17W max.)
Chipset	Intel BD82HM65 PCH
Graphics	• Core i5-2467M: Intel HD Graphics HD 3000 • Celeron 847E: Intel HD Graphics
Memory	8GB maximum, x 2 DDR3 SODIMM, 1066/1333MHz, 2GB/4GB/8GB
Serial ATA	SATA3 x 2, 600MB/s transfer rate
USB	x 7 (socket), USB 2.0 (x 4 external, x 3 internal)
COM	x 6 (x 2 external, x 4 internal)
Audio	Realtek ALC262 audio codec, 2+2 watts amplifier
LAN	Marvell 88E8071 Gigabit Ethernet x 2
BIOS	• AMI BIOS, 4M EEPROM • RTC wake up / Wake on LAN / Power on after power failure / PnP / ACPI
Speaker	1.5 watts x 2 (front bottom)

LCD Panel

Size	21.5" wide 16:9
Resolution	Full HD 1920 x 1080
Brightness	250 nits
Contrast	1000:1
Color numbers	16.7M (6-bit x 3 + Hi FRC)
Viewing angle	170 (H) / 160 (V)
Response time	5 ms (R + F)
Backlight	LED, 30,000 hours life time

Touch Panel

Type	Front full flat customized touch panel
Technology	Resistive touch, 5-wire
Light transmittance	> 78% (at 550 nm wavelength)
Hardness	3H
Touch stylus	No limitation
Resolution	4096 x 4096
Life time	35 million activations

Storage & Expansion

HDD	2.5" SATA HDD drive bay x 1 + anti-vibration kit, 160GB / 500GB
Expansion slot	• PCI-E (x16) x 1 (or PCI x 1) • Card size: 100 x 155 x 18/0.5 mm or 68 x 220 x 18/0.5 mm • Mini PCIe x 2 (52 pin card-edge type)

I/O & Control Keys

USB	USB 2.0 x 4
COM	DB-9 x 2 (RS232, RS232/422/485)
LAN	RJ-45 x 2, Gigabit
Video-out	DVI-I x 1
Audio	Line-out, Microphone-in (3.5 mm phone-jack)
Power input	DC-in x 1, 6V~32V
Control keys	• Front side, projected capacitive type • Power on/off, Brightness, Audio volume, Backlight on/off, Touch on/off

Power

Power adaptor	External, 100 watts, 90~264V AC in, 12V DC out, medical grade, 1.2m DC cable
Power consumption	65.66W (Full loading) / 5.7W (S3 standby)
Internal battery (optional)	• Li-Ion, 28Wh, for 25 minutes operating (approx.), 2S2P • Charge time: 2 hours (system off), 3.5 hours (system on)
System power input	• DC12V, others by optional DC-DC adaptor

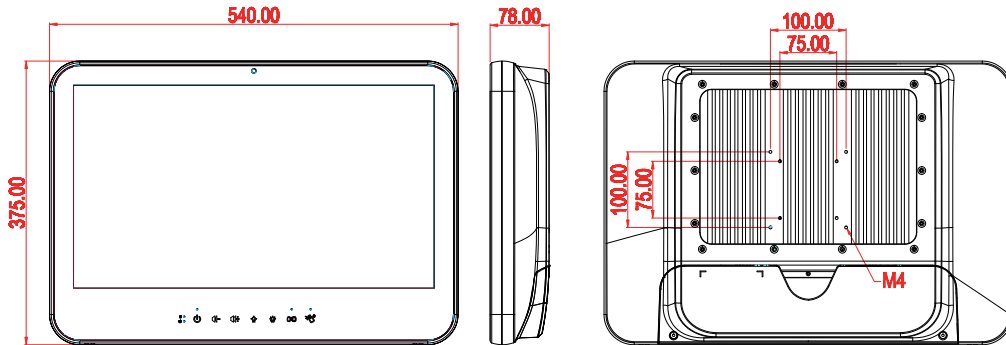
Mechanical & Environmental

Housing	• Front: Full flat design / Touch (standard), Glass (optional) • Rear: Plastic + I/O cover w/ antibacterial treatment • Housing: White . Control key icons: Grey
Color	IP65 – front side
IP rating	Fanless w/ back cover aluminum thermal plate
Cooling	VESA 75 x 75 / 100 x 100 mm
Mounting	Yes, x 1 at bottom
Kensington lock	540 x 375 x 78 mm (W x H x D, w/o stand)
Dimension	7.0 Kg (approximate, w/o power adaptor)
Weight (net)	• Operating – 0°C~40°C . Storage – -20°C~60°C
Temperature	Operating & storage – 10%~90%, non-condensing
Humidity	• FCC-B, cUL, CE, VCCI
Regulatory	• Medical 60601-1 3 rd edition (EN 60601-1:2006, ANSI/AAMI ES60601-1:2005, CAN/CSA C22.2 No. 60601-1:08)

WMP-227

21.5" Wide Core i Fanless Medical Panel PC

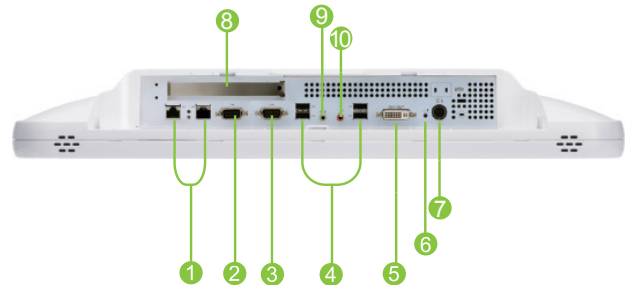
Outline Dimension



Packaging / Options / Customization

- Packaging Options**
- System, power adaptor, AC power cord, CD (drivers & manual)
 - WLAN 802.11 a/b/g/n mini PCIe module w/ internal antenna x 2
 - Bluetooth 2.1 (USB)
 - Webcam (2M pixel, USB)
 - Battery pack
 - RFID reader (13.56Hz, USB)
 - Power adaptor w/ 2.4m or 3.6m DC cable
 - Anti-bacteria desktop stand (metal, white)
- Customization**
- Add extra two COM ports
 - LAN isolation x 1
 - Add COM isolation x 2 module (use expansion slot area)
 - Add USB isolation x 1
 - Change touch to glass
 - Microphone on I/O cover (Configure of order service)

I/O Connectors



- | | |
|-----------------|-----------------------|
| 1 LAN x 2 | 6 Reset |
| 2 RS232/422/485 | 7 DC-in |
| 3 RS232 | 8 PCI-E/PCI expansion |
| 4 USB x 4 | 9 Line-out |
| 5 DVI-I | 10 Microphone-in |



Ordering Information

- WMP-227-IR0E0; Core™ i5-2467M, 1.60GHz, DDR3 2G RAM, SATA 160G HDD, Full flat resistive touch, PCI-Ex16



Web: www.wincomm.com.tw
Contact: sales_support@wincomm.com.tw

Wincomm Corporation
3F, NO. 14, Prosperity Road II, Science-Based Industrial Park,
Hsinchu, Taiwan 30078, R.O.C
Tel : +886 3 578 0000 Fax: +886 3 578 0295

Assured Systems

Assured Systems is a leading technology company with over 1,500 regular clients in 80 countries, deploying over 85,000 systems to a diverse customer base in 12 years of business. We offer high-quality and innovative rugged computing, display, networking and data collection solutions to the embedded, industrial, and digital-out-of-home market sectors.

US

sales@assured-systems.com

Sales: +1 347 719 4508
Support: +1 347 719 4508

1309 Coffeen Ave
Ste 1200
Sheridan
WY 82801
USA

EMEA

sales@assured-systems.com

Sales: +44 (0)1785 879 050
Support: +44 (0)1785 879 050

Unit A5 Douglas Park
Stone Business Park
Stone
ST15 0YJ
United Kingdom

VAT Number: 120 9546 28
Business Registration Number: 07699660