

**ACS-2320A**

Intel 6th Core i Processor Fanless Box PC

Industrial Panel PC

HMI Controller

Industrial  
Display Monitor

Box PC



**Features**

- 6th Gen. Intel Core™ i3/i5/i7 CPU built-in
- Fanless Design
- 1 x 260-pin DDR4 SO-DIMM up to 16GB 2133MHz FSB
- Wide range DC 9~36V power input
- 1 x 2.5" SATA3 HDD space



**Specifications**

System	
Processor	6th Gen. Intel Core™ i3-6100U 2.30GHz CPU onboard 6th Gen. Intel Core™ i5-6300U 2.40 up to 3.00GHz CPU onboard 6th Gen. Intel Core™ i7-6600U 2.60 up to 3.40GHz CPU onboard
System Chipset	SoC
System Memory	1 x 260-pin DDR4 SO-DIMM up to 16GB 2133MHz FSB

Outside IO Port	
USB	2 x USB 3.0 type A, 4 x USB 2.0 type A
Serial/Parallel	1 x RS-232/422/485 DB-9, Default RS-232, COM1 1 x RS-232 DB-9, COM2
Audio	1 x Line-out
LAN	2 x GbE LAN RJ-45
Display Interface	1 x VGA, 1 x HDMI
Power	1 x 3-pin DC power input terminal, 1 x power button

Storage	
Storage	1 x 2.5" SATA3 HDD bay (easy accessible)

Expansion	
On Board Expansion Bus	1 x Mini PCIe slot full size

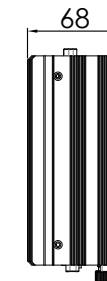
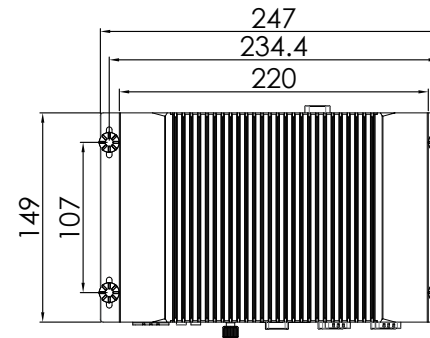
Power	
Power Input	DC 9~36V
power Consumption	MAX: 24W

Mechanical	
Construction	Plating titanium gray aluminum heatsink and black steel chassis
IP Rating	IP30
Mounting	Wall Mount
Dimension	247 x 149 x 68 mm
Net weight(kgs)	2.5 Kg

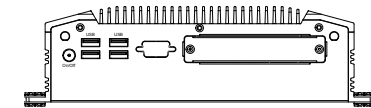
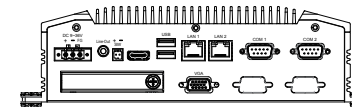
Environmental	
Operating Temperature	0~50°C / -20~60°C (option)
Storage Temperature	-30~70 °C
Storage Humidity	10~90% @40 °C non-condensing
Certificate	CE / FCC Class A

Operating System Support	
Windows 7 Pro for Embedded, Windows Embedded Standard 7, Windows Embedded 8.1 Industry Pro, Windows Embedded 8 Standard, Windows 10 IOT 2016	

**Dimensions**



UNIT: mm  
Tolerance:±0.5



## Assured Systems

Assured Systems is a leading technology company with over 1,500 regular clients in 80 countries, deploying over 85,000 systems to a diverse customer base in 12 years of business. We offer high-quality and innovative rugged computing, display, networking and data collection solutions to the embedded, industrial, and digital-out-of-home market sectors.

### US

[sales@assured-systems.com](mailto:sales@assured-systems.com)

Sales: +1 347 719 4508  
Support: +1 347 719 4508

1309 Coffeen Ave  
Ste 1200  
Sheridan  
WY 82801  
USA

### EMEA

[sales@assured-systems.com](mailto:sales@assured-systems.com)

Sales: +44 (0)1785 879 050  
Support: +44 (0)1785 879 050

Unit A5 Douglas Park  
Stone Business Park  
Stone  
ST15 0YJ  
United Kingdom

VAT Number: 120 9546 28  
Business Registration Number: 07699660