

# STE-6104C-T

4-Port Industrial Serial to Ethernet Device Server

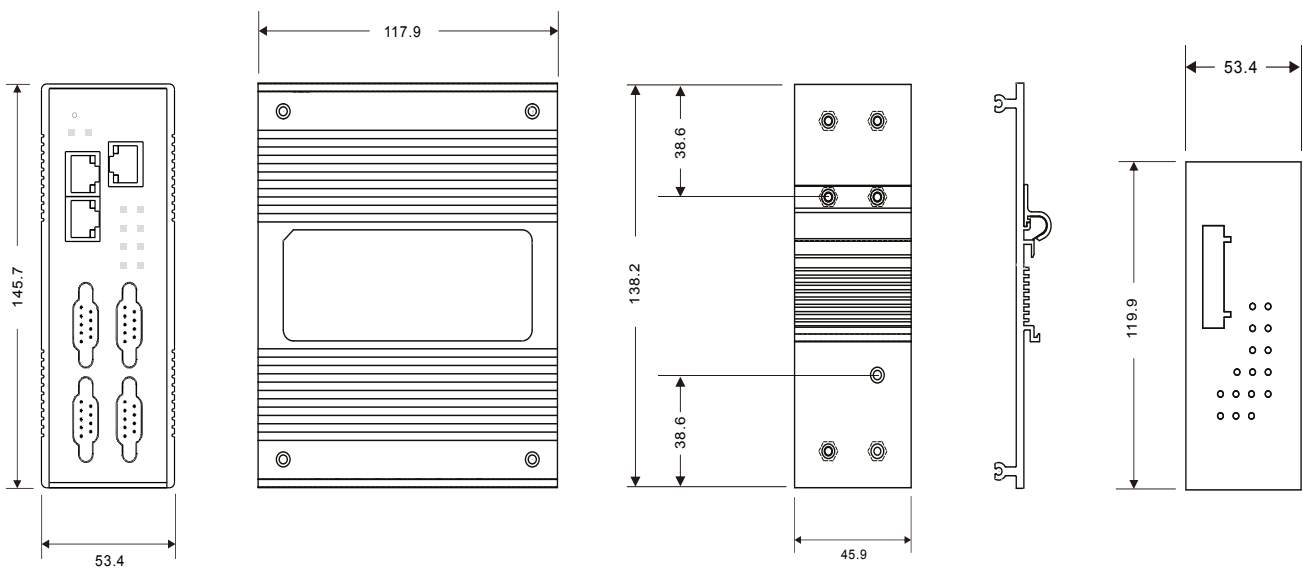


## Features

- ▶ 15KV ESD Protection for Serial Signals
- ▶ Dual 10/100Mbps Fast Ethernet for Redundancy
- ▶ 4-Port RS-232/RS-422/RS-485, Baud Rate up to 921 Kbps
- ▶ Rigid IP50 Metal Housing, DIN-Rail, and Wall-Mount Support
- ▶ RAW TCP Server/TCP Client/UDP/Virtual COM/Tunneling Modes
- ▶ Built-in Web Server/Serial Console/Telnet/Windows-based Utility
- ▶ Monitor, Manage, and Control Industrial Field Devices Remotely
- ▶ 5-Year Warranty



## ▶ Layout / Dimensions (unit = mm)



## ► Specifications

### System

CPU: 32-bit 266MHz RISC Processor with MMU  
Flash: 2+8 MB (2MB for Bootloader)  
RAM: 32 Mbytes DDR  
EEPROM: 8K Bytes  
Watchdog: Built-in Hardware

### TCP Server

Up to 4 Connections or Virtual COM / Reverse Telnet Modes

### TCP Client

Up to 2 Destination or Virtual COM Mode

### UDP

Up to 8 Ranges of IPs

### IEEE Compliance

IEEE 802.3

### Ethernet Ports

2 Ports

### Ethernet Connector

RJ-45

### Network Interface

10/100Mbps Fast Ethernet (Auto MDI/MDI-X)

### Network Protocol

TCP/IP, UDP, HTTP, SNMP, ARP, Telnet, ICMP, BOOTP, DHCP

### Serial Interface

RS-232/422/485 Software Selectable

### Serial Ports

4 Ports

### Serial Connector

DB9 Male

### Serial Communication

Data Rate: 300bps ~ 921.6kbps  
Parity: None, Odd, Even, Mark, Space  
Data Bits: 5, 6, 7, 8  
Stop Bits: 1, 2  
Flow Control: None, Xon/Xoff, RTS/CTS

### LED Indicators

COM, LAN, RUN

### Virtual COM

Windows & Linux Port Redirection Software

### Configuration

Web Page / Telnet / Serial console / Windows Utility

### Power Input

9 ~ 48DCV, 0.65A Max  
7-Pin 5.08mm Connector for Redundant Power Input

### Power Consumption

Max. 5.85W

### Operation Temperature

-40° C to 80° C (-40° F to 176° F)

### Storage Temperature

-40° C to 85° C (-40° F to 185° F)

### Operation Humidity

5% to 95% (Non-condensing)

### Dimension (W x H x D)

53.4 x 145.7 x 119.9 mm (2.10 x 5.74 x 4.72 in.)  
IP50 Rated (IEC/EN60529)

### EMC

CE Class A, FCC Class A

### EMS

EN 55024  
EN 61000-4-2 (ESD) Level 3  
EN 61000-4-3 (RS) Level 3  
EN 61000-4-4 (EFT) Level 3  
EN 61000-4-5 (Surge) Level 2  
EN 61000-4-6 (CS) Level 3  
EN 61000-4-8  
EN 61000-4-11

### Safety

IEC/EN60950-1

### Stability Testing

Shock: IEC60068-2-27  
Free Fall: IEC60068-2-32(ISTA Test Procedure 2A)  
Vibration: IEC60068-2-64

### Warranty

5-Year Warranty

## ► Ordering Information

STE-6104C-T

4-Port Serial to Ethernet Device Server, RS-232 / 422 / 485, Wide Operating Temperature

### Optional Accessories

DIN-RAIL-KIT

DIN Rail Mounting Kit

### Aaxeon Technologies

445 Capricorn St.  
Brea, CA 92821  
USA

Toll-Free: (877) AAXEON5 (229-3665)  
Phone: (714) 671-9000  
FAX: (714) 671-9944  
e-Mail: [info@aaxeon.com](mailto:info@aaxeon.com)

**aaxeon**  
[www.aaxeon.com](http://www.aaxeon.com)

## Assured Systems

Assured Systems is a leading technology company with over 1,500 regular clients in 80 countries, deploying over 85,000 systems to a diverse customer base in 12 years of business. We offer high-quality and innovative rugged computing, display, networking and data collection solutions to the embedded, industrial, and digital-out-of-home market sectors.

### US

[sales@assured-systems.com](mailto:sales@assured-systems.com)

Sales: +1 347 719 4508  
Support: +1 347 719 4508

1309 Coffeen Ave  
Ste 1200  
Sheridan  
WY 82801  
USA

### EMEA

[sales@assured-systems.com](mailto:sales@assured-systems.com)

Sales: +44 (0)1785 879 050  
Support: +44 (0)1785 879 050

Unit A5 Douglas Park  
Stone Business Park  
Stone  
ST15 0YJ  
United Kingdom

VAT Number: 120 9546 28  
Business Registration Number: 07699660