

# Airolinx APN-200

Industrial 802.11b/g Wireless LAN Access Point with 2-Port LAN

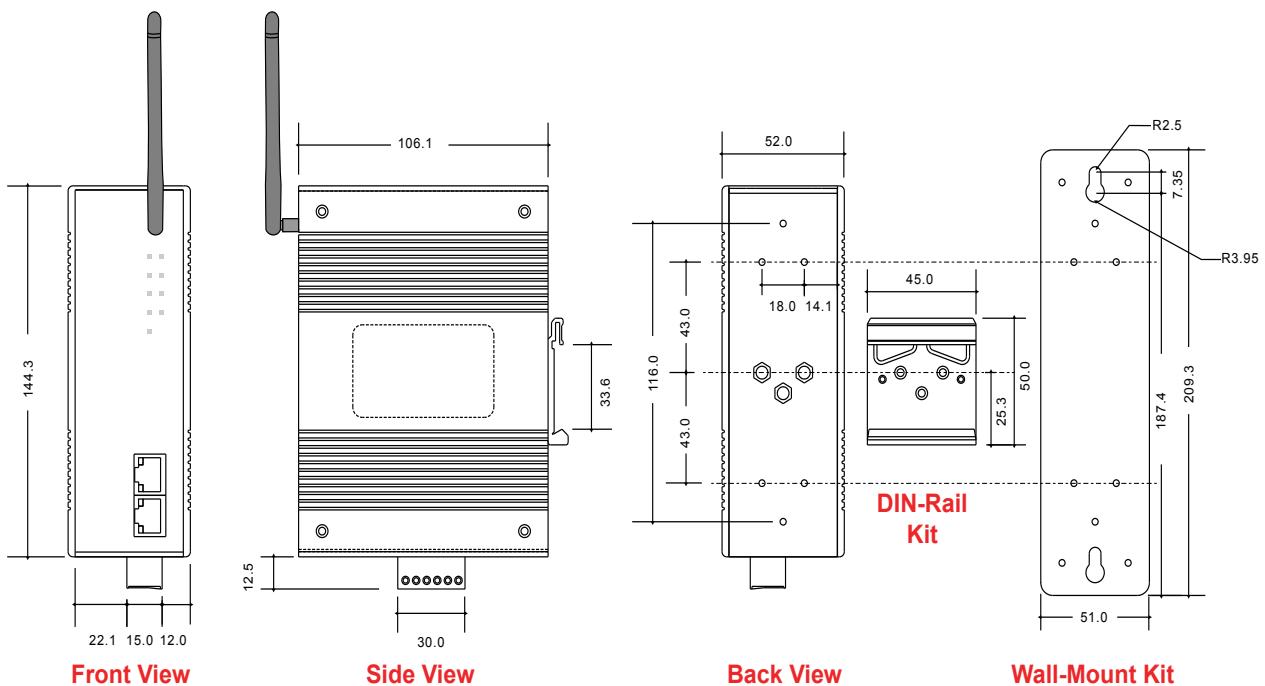


## Features

- ▶ Supports up to 54Mbps Link Speed
- ▶ WEP / WPA / WPA-PSK (TKIP, AES) / WPA2 / WPA2-PSK (TKIP, AES) / 802.1x / RADIUS Support
- ▶ Supports AP / Bridge / Repeater Mode
- ▶ Daisy Chain Support to Reduce Usage of Switch Ports
- ▶ Redundant Power Inputs: 12 ~ 48VDC on Terminal Block
- ▶ Fully Compliant with IEEE 802.3af (APN-200P Only)
- ▶ Secured Management by HTTPS
- ▶ Event Warnings by Syslog, Email, SNMP Trap, Relay and Beeper
- ▶ 5-Year Warranty



## ▶ Dimensions (unit = mm)



## ► Specifications

### Ethernet Port

2 x 10/100BaseT(X) which supports Switch Mode

### Connector

RJ-45

### Protection

Built-in 1.5KV Magnetic Isolation

### Protocol

ICMP, IP, TCP, UDP, DHCP, BootP, ARP/RARP, DNS, SNMP MIB II, HTTPS, SNMP v1/v2, Trap, Private MIB

### Power over Ethernet (P.O.E.)

Present at ETH2

Power Device (IEEE 802.3af):

- IEEE 802.3af Compliant Input Interface
- Power Consumption: 8 Watts Max.
- Overload & Short Circuit Protection
- Isolation Voltage: 1000 VDC Min.
- Isolation Resistance: 10<sup>8</sup> ohms Min.

### LED

PWR 1(2) (P.O.E.) / Ready, ETH (1) Link/ACT, WLAN Link/ACT, Fault

### WLAN Operating Mode

AP / Bridge / Repeater

### Antenna Connector

Reverse SMA

### Radio Frequency Type

DSSS

### Modulation

IEEE 802.11b: CCK, DQPSK, DBPSK

IEEE 802.11g: OFDM w/ BPSK, QPSK, 16QAM, 64QAM

### Frequency Band

America/FCC: 2.412 ~ 2.462 GHz (11 Channels)

Europe CE/ETSI: 2.412 ~ 2.472 GHz (13 Channels)

### Transmission Rate

IEEE 802.11b: 1 / 2 / 5.5 / 11 Mbps

IEEE 802.11g: 6 / 9 / 12 / 18 / 24 / 36 / 48 / 54 Mbps

### Transmit Power

18 dBm

### Receiver Sensitivity

-81 dBm @ 11 Mbps, PER < 8%

-64 dBm @ 54 Mbps, PER < 10%

### Encryption Security

WEP: 64-bit, 128-bit Key Supported

WPA / WPA2: 802.11i (WEP and AES Encryption)

PSK (256-bit Key Pre-shared Key Supported)

802.1x and RADIUS Supported

TKIP Encryption

### Wireless Security

SSID Broadcast Disable

### Power Input

12 ~ 48VDC in 6-Pin Terminal Block

### Power Consumption

6 Watts Max.

### Reverse Polarity Protection

Present

### Operation Temperature

Standard: 0° C to 60° C (32° F to 140° F)

Wide Operating Temperature: -35° C to 70° C (-31° F to 158° F)

### Operation Humidity

5% to 95% (Non-condensing)

### Storage Temperature

-35° C to 85° C

### Casing

IP30 Protection

### Dimension (W x H x D)

52 x 144 x 106 mm (2.05 x 5.67 x 4.17 in.)

### Stability Testing

Shock: IEC60068-2-27

Free Fall: IEC60068-2-32

Vibration: IEC60068-2-6

### EMI

FCC Part 15, CISPR (EN55022) Class A

### EMS

CE EN61000-4-2/EN61000-4-3/EN61000-4-4/EN61000-4-5/EN61000-4-6

### MTBF

200,000 Hours at Minimum

### Warranty

5-Year Warranty

## ► Ordering Information

### APN-200

Industrial 802.11b/g Wireless LAN Access Point with 2-Port LAN

### APN-200P

Industrial 802.11b/g Wireless LAN Access Point with 1-Port LAN and 1-Port P.O.E.

### APN-200-T

Industrial 802.11b/g Wireless LAN Access Point with 2-Port LAN, Wide Operating Temperature

### APN-200P-T

Industrial 802.11b/g Wireless LAN Access Point with 1-Port LAN and 1-Port P.O.E., Wide Operating Temperature

## Optional Accessories

### DR-4524

45W 24VDC Industrial DIN Rail Power Supply

### DR-75-24

75W 24VDC Industrial DIN Rail Power Supply

### DR-120-24

120W 24VDC Industrial DIN Rail Power Supply

### Aaxeon Technologies

445 Capricorn St.  
Brea, CA 92821  
USA

Toll-Free: (877) AAXEON5 (229-3665)

Phone: (714) 671-9000

FAX: (714) 671-9944

e-Mail: [info@aaxeon.com](mailto:info@aaxeon.com)

**aaxeon**  
[www.aaxeon.com](http://www.aaxeon.com)

## Assured Systems

Assured Systems is a leading technology company with over 1,500 regular clients in 80 countries, deploying over 85,000 systems to a diverse customer base in 12 years of business. We offer high-quality and innovative rugged computing, display, networking and data collection solutions to the embedded, industrial, and digital-out-of-home market sectors.

### US

[sales@assured-systems.com](mailto:sales@assured-systems.com)

Sales: +1 347 719 4508  
Support: +1 347 719 4508

1309 Coffeen Ave  
Ste 1200  
Sheridan  
WY 82801  
USA

### EMEA

[sales@assured-systems.com](mailto:sales@assured-systems.com)

Sales: +44 (0)1785 879 050  
Support: +44 (0)1785 879 050

Unit A5 Douglas Park  
Stone Business Park  
Stone  
ST15 0YJ  
United Kingdom

VAT Number: 120 9546 28  
Business Registration Number: 07699660