

LMP-1802G-M12-10G-SFP-67-24 Series

18-Port Industrial M12 IP67 Waterproof Gigabit PoE+ Light Layer 3 Managed Ethernet Switch, with 16*10/100/1000Tx M12 Connectors (X-Coded) (30W/Port) and 2*1G/10G SFP Slots; 24~55VDC Power Input



Features

- ▶ 16-Port 10/100/1000Base-T(X) Ethernet with IEEE 802.3af/at compliant with 30W/Port
- ▶ 2-Port 1G/10G SFP Slots
- ▶ Multi-user account for security
- ▶ Bypass design for Daisy Chain Redundancy
- ▶ Configuration: http, https, CLI Command, Telnet, SNMP, SSH
- ▶ Network redundancy support: G.8032 ERPS v2 / STP / RSTP / MSTP
- ▶ Supports Static routes for routing function
- ▶ Supports RADIUS, TACACS+ authentication protocol
- ▶ Supports QoS, LACP bandwidth control
- ▶ Supports VLAN, SNMP v1/v2c/v3, ACL, IP source guard for Ethernet security
- ▶ PoE ping alarm function for PoE ports power recycle
- ▶ Redundant power inputs design
- ▶ Operating Temperature Range
 - STD: -10°C to 65°C, EOT: -40°C to 70°C
- ▶ 5-Year Warranty

INTRODUCTION

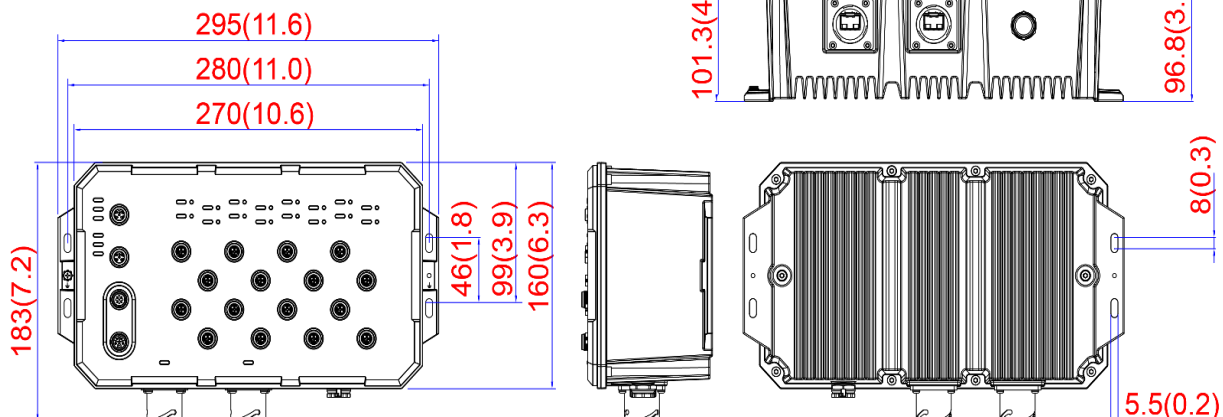
Antaira Technologies' LMP-1802G-M12-10G-SFP-67-24 Series is an 18-port managed gigabit Ethernet switch, which provides 16*10/100/1000 Base-T(X) with IEEE 802.3 af/at PoE compliant and 2*1G/10G fiber slots. LMP-1802G-M12-10G-SFP-67-24 Series is a fully manageable light layer 3 Ethernet switch series and supports power inputs redundancy. LMP-1802G-M12-10G-SFP-67-24 Series offers standardized network redundancy ITU-T G.8032 ERPS v2 (Ethernet Ring Protection Switch) protocol, providing <50ms recovery time to the network.

LMP-1802G-M12-10G-SFP-67-24 Series provides comprehensive network security and management capability by supporting Multi-user accounts, IGMP, GVRP, VLAN, QoS, SNMP, RADIUS, TACACS+, Aggregation (Static, LACP), SSH, SSL, IP source guard to create a highly-secured network environment. For power saving purposes, assuring PD, priority, and enhancing the security level of the network, LMP-1802G-M12-10G-SFP-67-24 Series also supports PoE scheduling and PoE output limit function to set up PoE output duration and watt at will.

LMP-1802G-M12-10G-SFP-67-24 Series is an M12 IP67 PoE+ industrial gigabit Ethernet switch that meets the high-reliability requirements demanded by industrial applications. Its M12 connectors ensure a tight and robust connection and it guarantees reliable operation on applications that are subject to high vibration and shock in dust, liquid, or gas-laden environments. Being able to operate under the standard temperature range from -10°C to 65°C or the extended temperature range from -40°C to 70°C, the LMP-1802G-M12-10G-SFP-67-24 Series can be installed in almost any harsh environment.

DIMENSIONS

Unit: mm (inch)



SPECIFICATIONS

| | |
|-----------------------------|--|
| Technology | Port/MAC/Protocol/IP Subnet-based VLAN, GARP/GVRP, Loop Guard, Link Aggregation static/LACP, BPDU guard, Error disable recovery, IGMP snooping v2/v3, MLD snooping v1/v2, IGMP filtering, IPMC throttling / filtering leave proxy, DHCP snooping, G.8032 v1/v2 |
| L2 Switching | |
| L3 Switching | DHCP option82, static routes |
| QoS | 802.1p Queueing, Input priority mapping, Storm control for Unicast/Multicast/Broadcast, Port/Queue/ACL policer, Port egress shaper, Queue egress shaper, DiffServ (DSCP), Tag remarking, Scheduler mode |
| Power Saving | ActiPHY, PerfectReach, IEEE 802.3az EEE power management |
| Network Redundancy | STP/RSTP/MSTP, port trunk with LACP, ERPS v1/v2 (<50ms) |
| Configuration | Http, Https, Telnet, SSH, CLI, TFTP, SNMP v3 |
| System / Diagnostics | Dual Image Protection, PING, PING6 |
| Switch Properties | |
| Switch Architecture | Back-Plane (Switching Fabric): 72Gbps |
| Priority Queues | 8 |
| Processing Type | Store and forward |
| Flow Control | IEEE 802.3x flow control, back pressure flow control |
| Transfer Rate | 14,880pps for Ethernet Port 148,800pps for Fast Ethernet Port 1,488,000pps for Gigabit Ethernet Port 14,880,000pps for 10 Gigabit Ethernet Port |
| Memory Buffer | 4Mbits |
| Jumbo Frame | 9.6Kbytes |
| MAC Table Size | 32K |
| VLAN Group | 4095 |
| IGMP Group | 1024 |
| Port Interface | |
| Ethernet Port | 16*10/100/1000 Base-T(X), 8-pin M12 X-Coded female connectors, auto negotiation speed, Full/Half duplex mode, and auto MDI/MDI-X connection |
| SFP Port | 2*1G/10G SFP Slots |
| RS232 Serial Console | 1*RS232 with M12 5-pin A-coded female connector |
| Configuration Backup | 1*USB 2.0 with M12 4-pin A-coded female connector for configuration backup/restore |
| DI | 1* Digital Input (DI) with M12 5-Pin A-coded male connector: State 0: -30~8VDC / State 1: 10~30VDC, Max. input current: 8mA |
| Bypass Protection | Ethernet Port 8 and Port 16 |
| LED Indicators | System: Power 1, Power 2, Master, Ring, Status, PoE Load PoE: On-connected to PD devices Ethernet ports: Speed/Link/Active SFP: Link/Active |

| | |
|------------------------------------|---|
| Protection | |
| Network Cable | 10Base-T: 2-pair UTP/STP Cat. 3, 4, 5 cable EIA/TIA-568 100-ohm (100m) 100Base-TX: 2-pair UTP/STP Cat. 5 cable EIA/TIA-568 100-ohm (100m) 1000Base-T: 4-pair UTP/STP Cat.5/5E cable; EIA/TIA-568 100-ohm (100m) |
| Optical Cable | Multi-mode cable - 50/125um or 62.5/125um, Single-mode cable - 9/125um or 10/125um |
| Mechanical Characteristics | |
| Housing | Metal, IP67 protection |
| Dimensions | 183 x 295 x 101.3 mm (W x H x D) |
| Weight | Unit: 9.39 lbs. Shipping: 11.18 lbs. |
| Mounting | Wall mounting |
| Power Requirement | |
| Input Voltage | 24~55VDC Redundant Input |
| Power Connection | Dual DC power inputs through M12 5-pin K-coded male connector |
| Relay Contact | 24VDC, 1A resistive |
| Overload Current Protection | Present |
| Reverse Polarity Protection | Present |
| PoE Pin Assignment | V+, V+, V-, V-, for pin 1, 2, 3, 6 (End-span, Mode A) |
| PoE Power Budget | 240W |
| System Power Consumption | 30W |
| Environmental Limits | |
| Operating Temperature | STD: -10°C to 65°C EOT: -40°C to 70°C |
| Storage Temperature | -40°C to 85°C |
| Ambient Relative Humidity | 5% to 95%, (non-condensing) |
| Regulatory Approvals | |
| EMI | FCC Part 15 Subpart B Class A, CE EN55032/EN61000-6-4 Class A |
| EMS | CE EN55035/EN61000-6-2, IEC61000-4-2,3,4,5,6,8 |
| Free Fall | IEC60068-2-32 |
| Shock | IEC60068-2-27 |
| Vibration | IEC60068-2-6 |
| Green | RoHS Compliant |
| Certifications | FCC, CE |
| Warranty | 5 Years |

ORDERING INFO

| | |
|--------------------------------------|---|
| LMP-1802G-M12-10G-SFP-67-24 | 18-Port Industrial M12 IP67 Waterproof Gigabit PoE+ Light Layer 3 Managed Ethernet Switch, with 16*10/100/1000Tx M12 Connectors (X-Coded) (30W/Port) and 2*1G/10G SFP Slots, 24-55VDC Power Input, STD: -10°C to 65°C |
| LMP-1802G-M12-10G-SFP-67-24-T | 18-Port Industrial M12 IP67 Waterproof Gigabit PoE+ Light Layer 3 Managed Ethernet Switch, with 16*10/100/1000Tx M12 Connectors (X-Coded) (30W/Port) and 2*1G/10G SFP Slots, 24-55VDC Power Input, EOT: -40°C to 70°C |



Optional Accessories

| | |
|---------------------------|---|
| CB-M12A5PF-5M | M12 A Code 5P Female to Open Wire, 5 Meter, Wire: 24 AWG, DI/DO Cable |
| CB-M12A4PM-USB-5M | M12 A Code 4P Male to USB 2.0 Type-A Female, 5 Meter, Wire: 28 AWG, USB Cable |
| CB-M12X8PM-RJ45-5M | M12 X Code 8P Male to RJ45 Socket, 5 Meter, Wire: 26 AWG, Ethernet Cable |
| CB-M12K5PF-5M | M12 K Code 5P Female to Open Wire, 5 Meter, Wire: 14 AWG, Power Cable |
| CB-M12A5PM-DB9-5M | M12 A Code 5P Male to DB9 Female, 5 Meter, Wire: 24 AWG, Console Cable |

Assured Systems

Assured Systems is a leading technology company with over 1,500 regular clients in 80 countries, deploying over 85,000 systems to a diverse customer base in 12 years of business. We offer high-quality and innovative rugged computing, display, networking and data collection solutions to the embedded, industrial, and digital-out-of-home market sectors.

US

sales@assured-systems.com

Sales: +1 347 719 4508

Support: +1 347 719 4508

1309 Coffeen Ave
Ste 1200
Sheridan
WY 82801
USA

EMEA

sales@assured-systems.com

Sales: +44 (0)1785 879 050

Support: +44 (0)1785 879 050

Unit A5 Douglas Park
Stone Business Park
Stone
ST15 0YJ
United Kingdom

VAT Number: 120 9546 28

Business Registration Number: 07699660