

Analog Input Modules: RTD and Potentiometer Interface to 3-Wire and 4-Wire Sensors

Description

Two MAQ20 resistance input modules are offered. One interfaces to 3-wire sensors and has 6 input channels; the other interfaces to 4-wire sensors and has 5 input channels. The 3-wire module interfaces to 3 types of sensors: 100Ω Pt and 120Ω Ni RTDs, and potentiometers; the 4-wire module interfaces to 100Ω Pt and 120Ω Ni RTDs. Precision, low magnitude current sources are used to minimize sensor self-heating and cancel lead resistance errors when using 3-wire sensors. All channels are individually configurable for sensor, range, alarms, and averaging to match the most demanding applications. High, Low, High-High and Low-Low alarms provide essential monitoring and warning functions to ensure optimum process flow and fail-safe applications. Hardware low-pass filtering in each channel provides rejection of 50 and 60Hz line frequencies. Field I/O connections are made through a pluggable terminal block with positions designated for the termination of wiring shields.

Input-to-bus isolation is a robust 1500Vrms and each individual channel is protected up to 240Vrms continuous overload in case of inadvertent wiring errors. Overloaded channels do not adversely affect other channels in the module, which preserves data integrity.

Channels in a module can be selectively enabled for scanning. All channels are enabled by default; however, non-used channels can be disabled to increase the sampling rate of enabled channels.

Input sensors and input ranges are selectable on a per-channel basis. One to three ranges are available depending on the input sensor. Over-range and under-range up to 2% beyond the specified input values is allowed. Sensor linearization is performed in the module, and accuracy is guaranteed to ±f.s.

► Features

- 6 Input Channels for 3-Wire Sensors
- 5 Input Channels for 4-Wire Sensors
- Interface to Pt100, Ni120 RTDs, and Potentiometers
- All Channels Individually Configurable for Sensor, Range, Alarms, Averaging
- 1500Vrms Input-to-Bus Isolation
- Each Channel Protected up to 240Vrms Continuous Overload
- Selective Enabling of Module Channels for Scanning

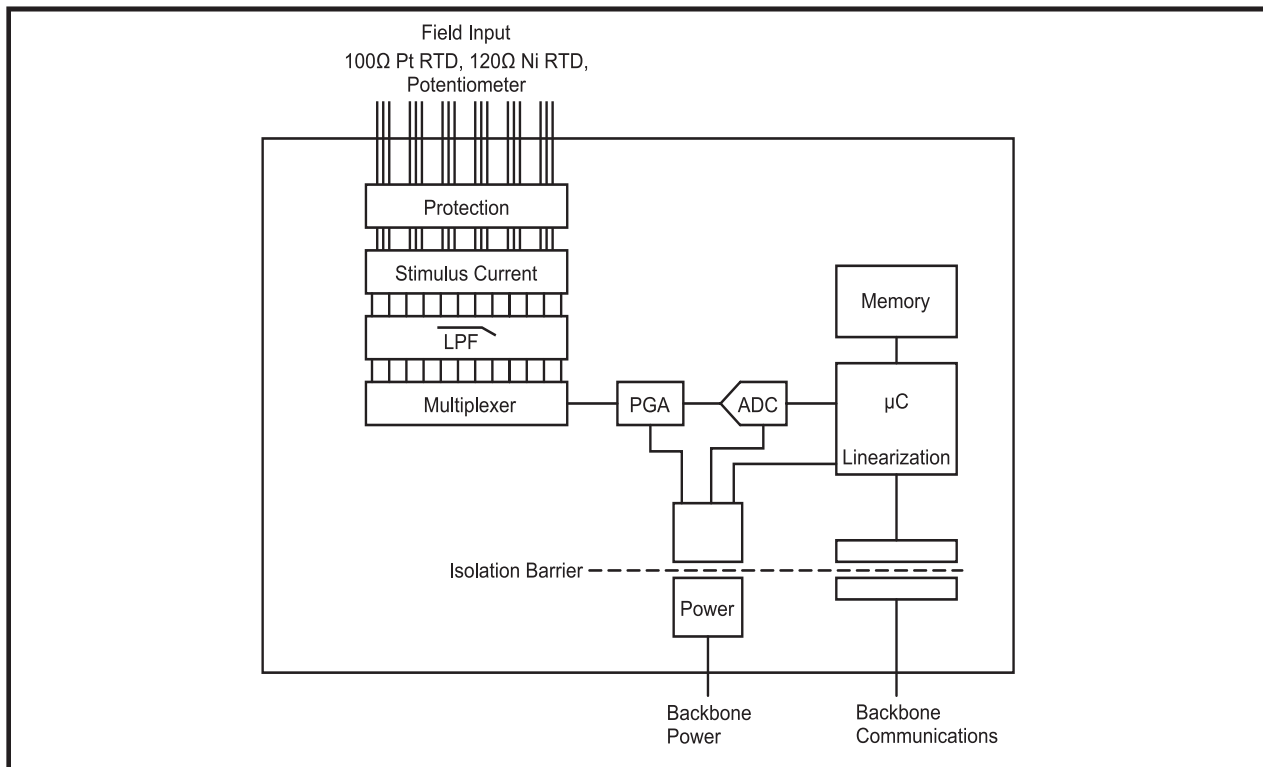


Figure 1: MAQ20-RTD31 RTD and Potentiometer Input Module Block Diagram

Specifications Typical* at T_a=+25°C and +24VDC system power

Module	Description
MAQ20-RTD31	6-channel, 3-wire Pt100, Ni120, Potentiometer Input 100Ω Pt a = 0.00385; -100°C to +850°C (Default) 100Ω Pt100 a = 0.00385; -200°C to +200°C Pt100 a = 0.00385; -100°C to +100°C Ni120 a = 0.00672; -80°C to +300°C Potentiometer 0Ω to 5kΩ
MAQ20-RTD41 [◇]	5-channel, 4-wire Pt100, Ni120 100Ω Pt a = 0.00385; -100°C to +850°C (Default) 100Ω Pt100 a = 0.00385; -200°C to +200°C Pt100 a = 0.00385; -100°C to +100°C Ni120 a = 0.00672; -80°C to +300°C
Per Channel Setup	Individually configurable for sensor, range, alarms, averaging
Input Protection	
Continuous	240Vrms max
Transient	ANSI/IEEE C37.90.1
CMV	
Channel-to-Bus	1500Vrms, 1 min
Channel-to-Channel	±3V peak
Transient	ANSI/IEEE C37.90.1
CMR	100dB at 50/60Hz
NMR	20dB at 50/60Hz
Accuracy ⁽¹⁾	±0.06% span
Conformity	±0.035% span
Resolution	0.012% span
Stability	
Zero	±50ppm/°C
Span	±35ppm/°C
Bandwidth, -3dB	3Hz
Scan Rate	200 Ch/s
Alarms	High / High-High / Low / Low-Low
Open Input Response	Upscale or Downscale, <5s, Flag Set
Power Supply Current	35mA
Dimensions (h)(w)(d)	4.51" x 0.60" x 3.26" (114.6mm x 15.3mm x 82.8mm)
Environmental	
Operating Temperature	-40°C to +85°C
Storage Temperature	-40°C to +85°C
Relative Humidity	0 to 95% Noncondensing
Emissions, EN61000-6-4	ISM Group 1
Radiated, Conducted	Class A
Immunity EN61000-6-2	ISM Group 1
RF	Performance A ±0.5% Span Error
ESD, EFT	Performance B
Certifications	Heavy Industrial CE, ATEX Pending UL Class I, Division 2, Groups A, B, C, D Pending

Model	Description
MAQ20-RTD31	Analog Input Module; RTD/Potentiometer, 3-Wire, Type Pt and Ni, 6-ch
MAQ20-RTD41 [◇]	Analog Input Module; RTD, 4-Wire, Type Pt and Ni, 5-ch

MAQ20

NOTES:

* Contact factory or your local Dataforth sales office for maximum values.

[◇] Preliminary at date of printing. Contact factory for availability.

(1) Includes conformity, hysteresis and repeatability.

For input connections and full details on module operation, refer to MA1044 – MAQ20 RTD-Potentiometer Input Module Hardware User Manual, available for download at: www.dataforth.com/maq20_download.aspx

Assured Systems

Assured Systems is a leading technology company with over 1,500 regular clients in 80 countries, deploying over 85,000 systems to a diverse customer base in 12 years of business. We offer high-quality and innovative rugged computing, display, networking and data collection solutions to the embedded, industrial, and digital-out-of-home market sectors.

US

sales@assured-systems.com

Sales: +1 347 719 4508
Support: +1 347 719 4508

1309 Coffeen Ave
Ste 1200
Sheridan
WY 82801
USA

EMEA

sales@assured-systems.com

Sales: +44 (0)1785 879 050
Support: +44 (0)1785 879 050

Unit A5 Douglas Park
Stone Business Park
Stone
ST15 0YJ
United Kingdom

VAT Number: 120 9546 28
Business Registration Number: 07699660