

# AVerMedia

## C351W Wide Temperature Quad SD Mini-PCIe Capture Card



### Features

- PCI Express Mini Card form factor
- Wide temp range of -40°C ~ 85°C (-40°F ~ 185°F)
- 4-channel concurrent video capturing
- Composite input interface
- Low power consumption (1.13 Watts)

### Introduction

The C351W is a PCI Express Mini video capture card capable of preserving up to four channels simultaneously from multiple input sources. The exclusive hardware design of C351W guarantees a fast response and solid performance for high-density SD capture and encoding demands. The C351W can ingest and capture composite sources for monitoring, archiving or analyzing SD video content with more flexibilities and possibilities.

It is endowed with full functions that required to performing SD video capture for industrial and commercial markets such as data recorder, medical imaging, machine vision or any industrial imaging commits to shorten the development schedule and providing integrators with a complete and rugged solution towards building their own applications.

#### Wide Temperature

Various applications are often carried out under harsh and extreme environmental conditions. The thermally robust C351W is specifically designed to provide greater flexibility for rugged and industrial applications. Wide temperature support extends the operation temperature to a range of -40°C ~ 85°C (-40°F ~ 185°F). The C351W assures sustainable, reliable and stable video capture quality under extreme climatic environments.

#### Mini PCIe Compact Form Factor

The compact form factor design from a PCI Express Mini Card is perfect to fit into small-footprint embedded system. Also available for vibration-proof lock hole specifically suits for in-vehicle, military and industrial applications.

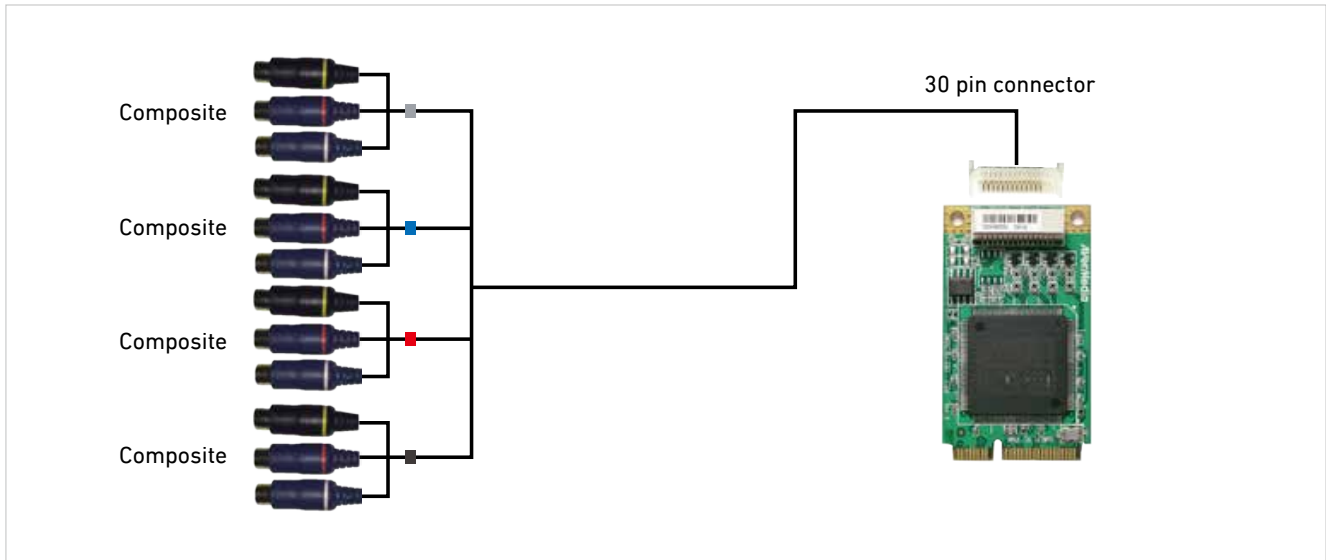
#### 4 channel concurrent capture solution

The C351W features 4 parallel composite video input interfaces, allowing for more versatility with in a compact card. With 4 channel input the C351W is powerful enough to provide concurrent capture of all 4 video channel at the highest performance while still keeping great video quality.

# C351W

## Wide Temperature Quad SD Mini-PCIe Capture Card

### Connection Diagram



### Specifications

Host Interface	PCI Express Mini Card
Audio Interface	Composite L / R
Audio Format	PCM
Connector Type	30 pin / RCA
Input Interface	Composite
Video Format	YUV
Color Depth	8 bit
Channel No.	4 Ch
Max. Input Resolution	NTSC / PAL
Max. Capturing Resolution	NTSC / PAL

Encoding Mode	Software Encoding
Multi-Channel Support	Yes
Multi-Card Support	Yes
Supported OS	Windows 7/8.1/10 (32/64 bits), Linux (32/64 bits) *
Form factor	Mini Card
Dimension (L x W)	50.80 x 29.85 mm
Power Consumption	1.13W
Operating Temperature	-40°C ~ 85°C
Operating Humidity	5% ~ 80% Relative Humidity
Safety Certification	FCC / CE

#### \* Linux Services

- Support Linux kernel 2.6.14 version and later based on V4L2 & ALSA framework
- Driver customization service by request

### Versatile SDK

AVerMedia software development kit (SDK), a set of development tools that allows a software engineer to seamlessly integrate video capture modules into application specific systems. Available upon request are the SDK Basic, SDK Pro and to better match each application's specific requirements premium add-on kits.

### Ordering Information

- C351W : Wide temperature Quad SD Mini-PCIe Capture Card
- Accessories:
  - 30 pin connector to composite breakout cable
- SDK kits
  - SDK Basic
  - SDK Pro (Optional)
  - SDK Premium Add-on Kits (Optional)

## Assured Systems

Assured Systems is a leading technology company with over 1,500 regular clients in 80 countries, deploying over 85,000 systems to a diverse customer base in 12 years of business. We offer high-quality and innovative rugged computing, display, networking and data collection solutions to the embedded, industrial, and digital-out-of-home market sectors.

### US

[sales@assured-systems.com](mailto:sales@assured-systems.com)

Sales: +1 347 719 4508  
Support: +1 347 719 4508

1309 Coffeen Ave  
Ste 1200  
Sheridan  
WY 82801  
USA

### EMEA

[sales@assured-systems.com](mailto:sales@assured-systems.com)

Sales: +44 (0)1785 879 050  
Support: +44 (0)1785 879 050

Unit A5 Douglas Park  
Stone Business Park  
Stone  
ST15 0YJ  
United Kingdom

VAT Number: 120 9546 28  
Business Registration Number: 07699660