

W32L100-MRA3FP

32" Marine Display



KEY FEATURES

- High image quality, 1920 x 1080 pixels resolution Marine Display
- 9~36 V DC to DC power input acceptable (Isolation Resistance)
- High quality touchscreen / AR protection glass for option
- Ease of use front panel OSD control Marine Display
- Enhanced shock and vibration resistance
- Panel Mount



SPECIFICATIONS

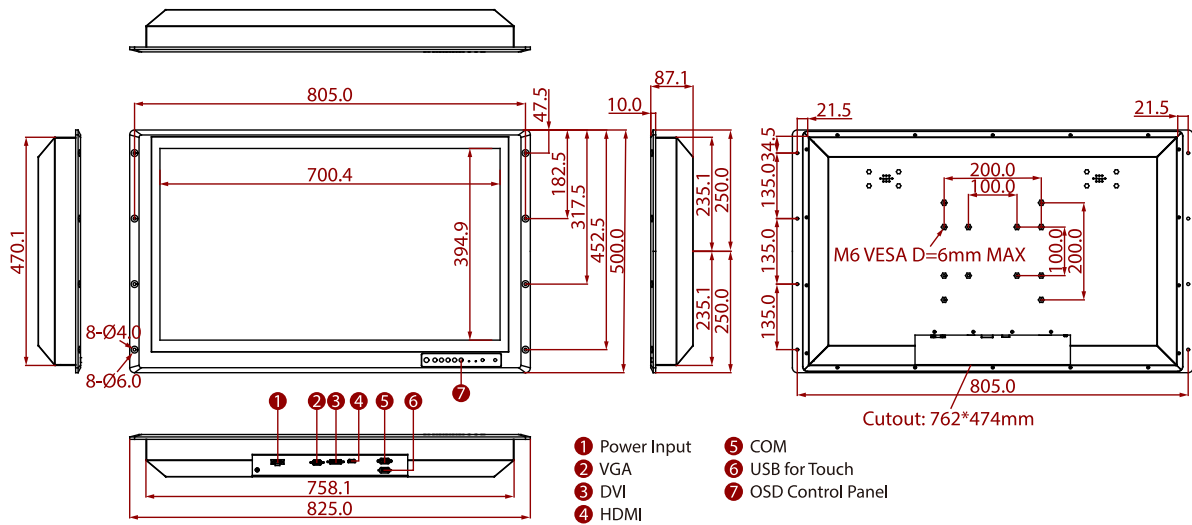
Display			
Resolution	1920x1080	Size	32.0 inches
Contrast Ratio	4000:1	Panel Brightness	400.0 nits
Display Color	16.7M Colors	View Angles	89,89,89,89
Active Area	698.4x392.85 mm	Touch / Glass	Projected Capacitive Multi Touch Screen AR Glass (Optional)
Environment			
Operating Humidity	10% to 95% RH	Operating Temperature	-15~55°C
Storage Temperature	-20°C~60°C	IP rating	Front IP65
Certification			
Certification	CE, FCC		
IO Ports			
USB Port	1 x USB for Touch Screen	Serial Port	1 x RS232 for remote control
Video	1 x VGA 1 x DVI-D 1 x HDMI 1.4		
Mechanical			
Dimension	805 x 500 x 87.1 mm	Weight	17 kg
Mounting	VESA Mount/ Panel Mount	Enclosure	Anodized Aluminum Bezel
Cooling System	Fanless Design	Cut out	762 x 474 mm
Accessory			
Accessory	User Manual Mounting clips x 16 AC to 12V DC Adapter Power Cord 3 Pin Terminal Block Open Wire Cable 1 x VGA cable 1 x DVI cable 1 x HDMI cable 1 x RS232 cable 1 x USB cable		
Power			

Power Rating	24V DC-in with Isolation (Approval by Certificate) 9~36V DC Input Acceptable	Consumption	55W (Typical)
---------------------	---	--------------------	---------------

Control

Button	7 key: Power Decrease Increase Exit/ Auto Menu Day/ Night Lock/ Unlock
---------------	---

DIMENSIONS UNIT:MM



NOTE

1. This is a simplified drawing and some components are not marked in detail.
2. Please contact our sales representative if you need further product information.
3. All specifications are subject to change without prior notice.
4. The product shown in this datasheet is a standard model. For diagrams that contain customized or optional I/O, please contact the Winmate Sales Team for more information.

Assured Systems

Assured Systems is a leading technology company with over 1,500 regular clients in 80 countries, deploying over 85,000 systems to a diverse customer base in 12 years of business. We offer high-quality and innovative rugged computing, display, networking and data collection solutions to the embedded, industrial, and digital-out-of-home market sectors.

US

sales@assured-systems.com

Sales: +1 347 719 4508
Support: +1 347 719 4508

1309 Coffeen Ave
Ste 1200
Sheridan
WY 82801
USA

EMEA

sales@assured-systems.com

Sales: +44 (0)1785 879 050
Support: +44 (0)1785 879 050

Unit A5 Douglas Park
Stone Business Park
Stone
ST15 0YJ
United Kingdom

VAT Number: 120 9546 28
Business Registration Number: 07699660