

# R12L600-MRM2HB

## 12.1" High Brightness Marine Display



### KEY FEATURES

- Dimming knob control backlight brightness from nearly 0% to 100%
- High brightness TFT-LCD Panel enhances the best visibility(Optional)
- IP66 aluminum housing with powder coating design (IP54 rear)
- 9 to 36V DC to DC power input acceptable (AC power for option)
- High quality touchscreen / AR protection glass for option
- PIP(picture in picture) function and multi-video inputs
- Ease of use front panel OSD control, High Brightness Marine Display
- Enhanced shock and vibration resistance



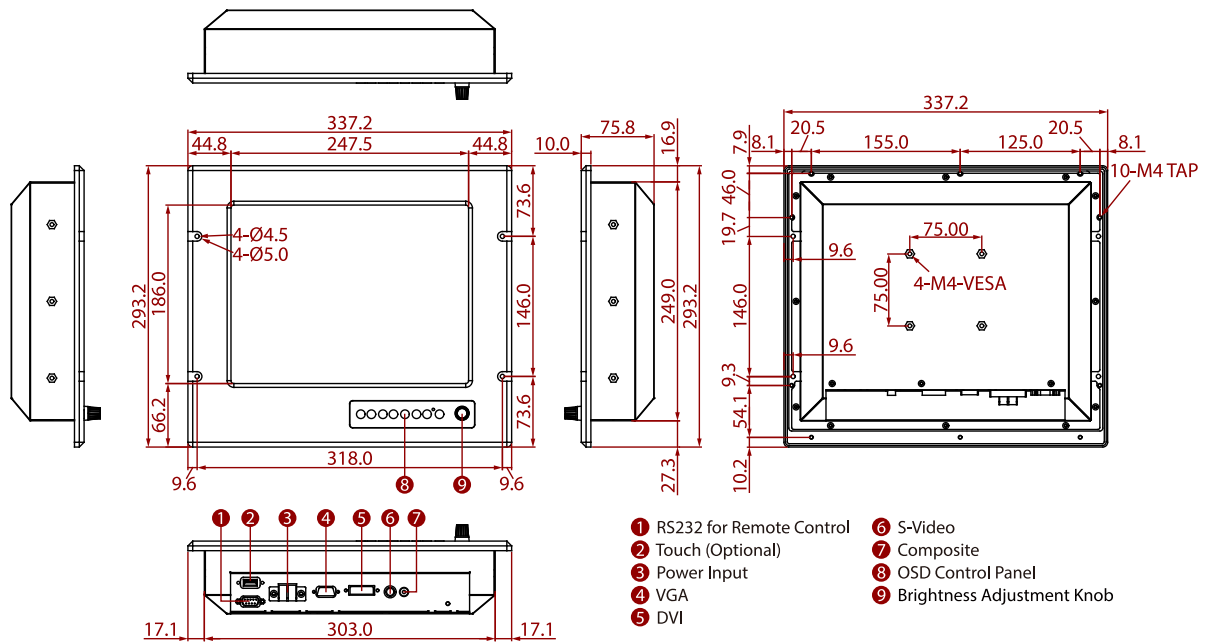
### SPECIFICATIONS

Display			
<b>Touch / Glass</b>	Resistive Touch Screen AR Glass (Optional)	<b>Resolution</b>	1024x768
<b>Size</b>	12.1 inches	<b>Contrast Ratio</b>	1000:1
<b>Panel Brightness</b>	1000.0 nits	<b>Display Color</b>	16.2M Colors
<b>View Angles</b>	89,89,89,89	<b>Active Area</b>	245.76x184.32 mm
Environment			
<b>Operating Humidity</b>	5% to 95%	<b>Operating Temperature</b>	-15~55°C
<b>Shock</b>	15G,11ms duration	<b>Vibration</b>	0.7g@DNVGL CG-0339 (Class A)
<b>IP rating</b>	IP66 (Front Side)		
Certification			
<b>Certification</b>	CE, FCC		
IO Ports			
<b>Serial Port</b>	1 x RS232 for Remote Control 1 x RS232/USB for Touch Screen	<b>Video</b>	1 x VGA 1 x DVI-D 1 x Composite 1 x S-Video
Mechanical			
<b>Dimension</b>	337 x 293.2 x 70.8 mm	<b>Weight</b>	4kg
<b>Mounting</b>	VESA Mount/ Panel Mount	<b>Enclosure</b>	Metal Housing with Aluminum Bezel
<b>Cooling System</b>	Fanless Design	<b>Cut out</b>	307 x 253mm
Power			
<b>Power Rating</b>	9~36V DC Input Acceptable	<b>Consumption</b>	35W (Typical)
Accessory			
<b>Accessory</b>	1 x User Manual. 1 x CD for Touchscreen Driver Tools. 1 x DVI Cable. 1 x VGA Cable. 1 x RS232 Serial Cable. 1 x S-Video Cable. 1 x Composite Cable.		

**Control**

<b>Button</b>	8 key: Esc/PIP Auto adjustment Left Right/Source OK/Menu Up Down Power 1 x The Dimming Knob
---------------	--

**DIMENSIONS** UNIT:MM



**NOTE**

1. This is a simplified drawing and some components are not marked in detail.
2. Please contact our sales representative if you need further product information.
3. All specifications are subject to change without prior notice.
4. The product shown in this datasheet is a standard model. For diagrams that contain customized or optional I/O, please contact the Winmate Sales Team for more information.

## Assured Systems

Assured Systems is a leading technology company with over 1,500 regular clients in 80 countries, deploying over 85,000 systems to a diverse customer base in 12 years of business. We offer high-quality and innovative rugged computing, display, networking and data collection solutions to the embedded, industrial, and digital-out-of-home market sectors.

### US

[sales@assured-systems.com](mailto:sales@assured-systems.com)

Sales: +1 347 719 4508  
Support: +1 347 719 4508

1309 Coffeen Ave  
Ste 1200  
Sheridan  
WY 82801  
USA

### EMEA

[sales@assured-systems.com](mailto:sales@assured-systems.com)

Sales: +44 (0)1785 879 050  
Support: +44 (0)1785 879 050

Unit A5 Douglas Park  
Stone Business Park  
Stone  
ST15 0YJ  
United Kingdom

VAT Number: 120 9546 28  
Business Registration Number: 07699660